

# 719H

## SINOMACH

## SINOMACH

## SINOMACH-HI INTERNATIONAL EQUIPMENT CO.,LTD.

额定功率(Rated Power):142kW@2200rpm

操作重量(Operating Weight):15600Kg (Standard)



- Equipped with Dong Feng Cummins engine.
- Single-handle electro-hydraulic controlled power shift T/M,6 forward & 3 reverse shifts makes operation easy and convenient.
- Optimum axle load allocation provides excellent stability while grading rough and rocky area.
- Box-Type frame and advanced T/M enable it to complete heavy-duty work.
- A wide working range is accomplished through flexible moldboard suspension system and articulated frame.



Wheel Loader



Motor Grader



Excavator



Backhoe Loader



Vibratory Roller



Truck Mounted Crane



Bulldozer



Paver



Skid Steer



SINOMACH-HI INTERNATIONAL EQUIPMENT COMPANY LIMITED

Add:No.898,West Huanghe Road, Changzhou, Jiangsu,  
P.R.of China

P.C:213136

Tel:86-519-86781288 86752400

Fax:86-519-86781387

Http://www.sinomach-hi.com

E-mail:sales@changlin.com.cn service@changlin.com.cn



国机重工集团国际装备有限公司  
SINOMACH-HI INTERNATIONAL EQUIPMENT CO.,LTD.



### 发动机(Engine)

型号.....康明斯6BTA5.9  
Model.....Cummins 6BTA5.9  
型式.....直喷、涡轮增压、水冷  
Type.....Direct injection, turbocharged, water cooling  
额定功率Rated Power..... 142kW@2200rpm  
最大扭矩Max. torque.....860N.m@1300rpm



### 变速系统 (Transmission System)

ZF技术的电液控制动力换挡变速箱, 单手柄操作, 中位锁定。  
Electro-hydraulic controlled power shift ADVANCE transmission adopted ZF technology, single handle operation, lock in the neutral.  
行驶速度(km/h) Traveling speed (at rated engine rpm)

Gearshift	Forward speed	Reverse speed
1 <sup>st</sup>	6.5	6.5
2 <sup>nd</sup>	11.4	14.6
3 <sup>rd</sup>	14.6	30
4 <sup>th</sup>	24.8	
5 <sup>th</sup>	30	
6 <sup>th</sup>	49.2	



### 液压系统 (Hydraulic System)

系统压力System pressure.....17.5mpa  
发动机额定转速时的流量.....99L/min  
Flow rate at engine rated speed.....99L/min



### 转向 (Steering System)

前轮的最大转向角.....左右各 49°  
Max. turning range.....left or right 49°  
车架转向角.....左右各 26°  
Frame articulation.....left or right 26°  
最小转弯半径.....7300mm  
Min. turning radius.....7300mm  
系统压力 System pressure.....16mpa  
发动机额定转速时的流量..... 55L/min  
Flow rate at engine rated speed..... 55L/min



### 车桥 (Axles)

前桥.....中央离地间隙 610mm, 摆角为±16°  
Front axle.....Ground clearance 610mm and oscillation angle (total)±16°  
前轮倾斜角 wheel lean angle.....right or left 17°  
后桥: 全浮式后桥, 带 NO-SPIN 差速器  
Rear axle: full-floating rear axle with NO-SPIN differential



### 终传动 (Tandem Drive)

平衡箱摆角(Tandem oscillation).....13° forward and reverse  
终传动.....螺旋锥齿轮, 单级减速。  
Final driving.....Spiral bevel gear, single stage reduction  
串联传动.....采用双排滚子链  
Tandem drive.....Double row roller-chains



### 制动 (Brakes)

行车制动.....全液压制动, 鼓式制动器  
Service brake.....Hydraulic brake system, drum brake  
停车制动.....软轴操纵作用内涨鼓式制动器。  
Parking brake.....Flexible shaft control actuated inner-expanding drum brake



### 铲刀 (Moldboard)

铲刀尺寸 Dimensions.....4268mm × 580mm × 16mm



### 刀板变动范围 (Blade Range)

铲刀移动距离(Moldboard side shift)  
Right.....815mm  
Left.....815mm  
Max. shoulder reach outside rear tires(frame straight)  
Right.....2400mm  
Left.....2400mm  
Max. lift above ground.....450mm  
Max. grading depth.....535mm  
Max. blade angle, right or left.....90°  
Blade tip angle.....29° ~ 77°



### 轮胎 (Tyre)

轮胎规格 Tyre size.....17.5-25-12PR L-3



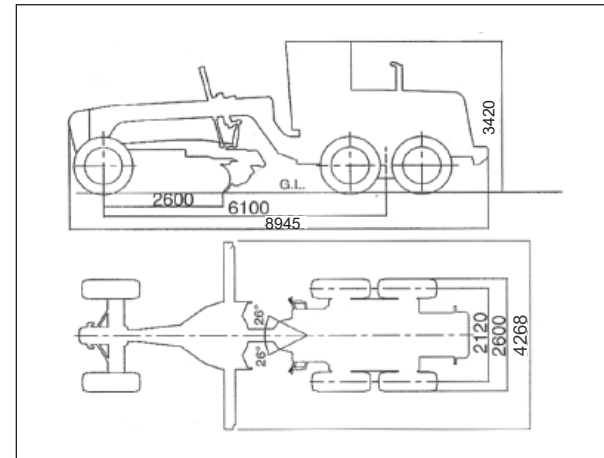
### 驾驶室 (Cabin)

Vibration-absorbed humanistic cabin with adjustable steering wheel and seat, and streamline dashboard provide low noise, air conditioning, comfortable operation and wide eyeshot.



### 油量 (Refill Capacity)

燃油箱 Fuel tank.....370L  
变速箱 Transmission.....28L  
曲轴箱 Crank case..... 17L  
后桥 Rear axle.....18L  
平衡箱(单边) Tandem housing(each).....45L  
液压系统 Hydraulic system.....65L



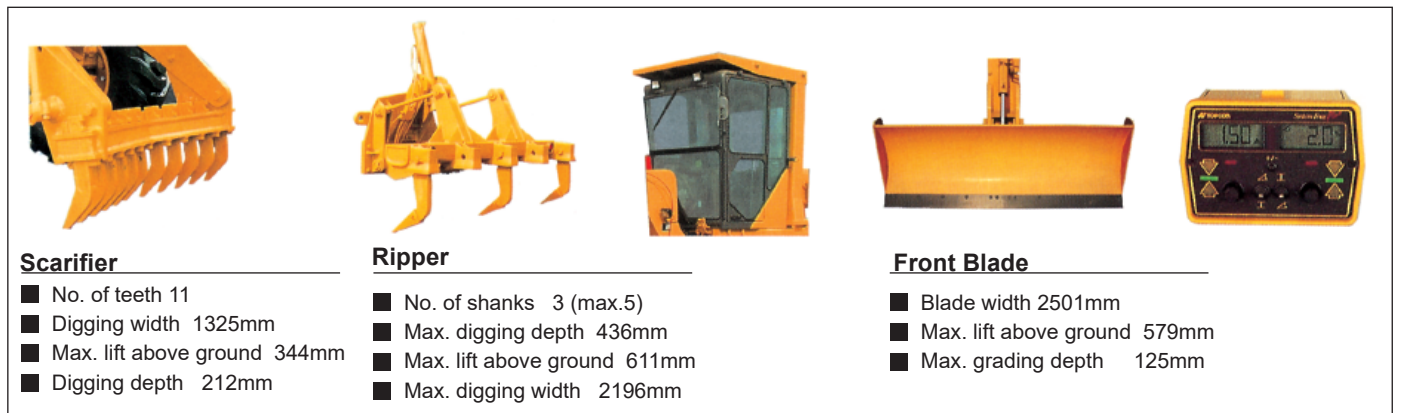
### Comfortable Cabin



■ Full-closed cabin with the visibility up to 47%.

### Optional Attachment

1. 空调Air conditioner
2. 轮胎Tyre size: 13.00-24-12PR G-2
3. 自动找平仪Automatic leveling device
4. 防滚翻ROPS Frame
5. 推土板Front Blade
6. 前松Scarifier
7. 后松Ripper



#### Scarifier

- No. of teeth 11
- Digging width 1325mm
- Max. lift above ground 344mm
- Digging depth 212mm

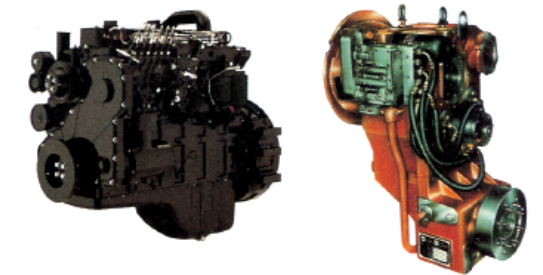
#### Ripper

- No. of shanks 3 (max.5)
- Max. digging depth 436mm
- Max. lift above ground 611mm
- Max. digging width 2196mm

#### Front Blade

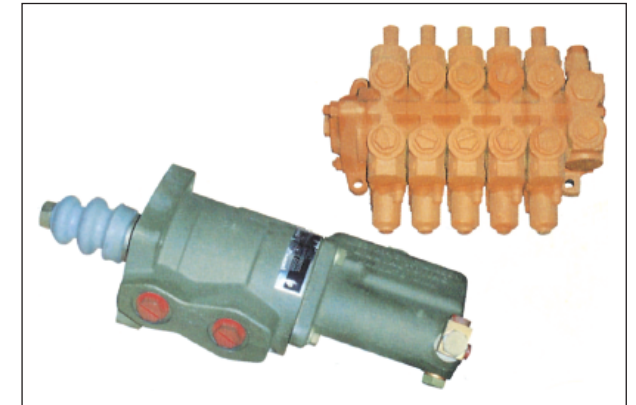
- Blade width 2501mm
- Max. lift above ground 579mm
- Max. grading depth 125mm

### Best Matched Power Train



- Equipped with Cummins engine that features strong power and low oil consumption.
- ADVANCE transmission adopted ZF technology with single handle that features perfect performance and easy operation.

### Imported Multil-way Valve & Booster



- Adopted imported components in crucial places greatly enhance reliability.