

957Z

SINOMACH

SINOMACH

SINOMACH-HI INTERNATIONAL EQUIPMENT CO.,LTD.

Optional Attachment



侧卸
Side-dump Bucket



加长臂
Extension Arm



石油管夹具
Petroleum-pipe Clamp



枝桠材夹具
Branch Clamp



木爪
Log Clamp



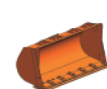
小容量夹具
Small capacity clamp



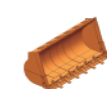
大容量夹具
Large capacity clamp



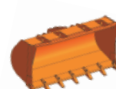
岩石斗 (2.2m³)
Rock Bucket



煤斗 (3.8m³)
Coal Bucket



矿砂斗 (2.2m³)
Ore Bucket



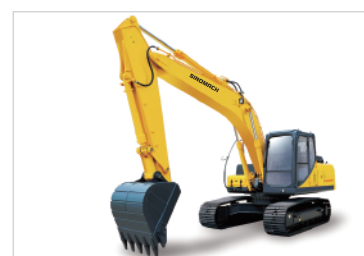
加大斗 (4.5m³)
Large Capacity Bucket



Wheel Loader



Motor Grader



Excavator



Backhoe Loader



Vibratory Roller



Truck Mounted Crane



Bulldozer



Paver



Skid Steer



- Equipped with Cummins 6LTAA9.3 / SHANG CHAI SC11CB220G2B1 engine.
- Outstanding ZF fixed shaft T/M and 3-elements are mature and reliable.
- Easy、accurate and flexible imported single-handle P. P.C system, bucket automatic leveling device, assure operation quick and reliable.
- KD switch owns better efficiency and easy operation.
- Luxury cab decoration and A/C and adjustable steering wheel provide operator more space and comfort.
- Key components of international brands are used to enhance reliability.



SINOMACH-HI INTERNATIONAL EQUIPMENT CO.,LTD.
Add:No.898, West Huanghe Road, Changzhou, Jiangsu,
P.R.of China
PC:213136
Tel:86-519-86781288 86752400
Fax:86-519-86781387
Http://www.sinomach-hi.com
E-mail:sales@changlin.com.cn service@changlin.com.cn

DEALER:



国机重工集团国际装备有限公司
SINOMACH-HI INTERNATIONAL EQUIPMENT CO.,LTD.



发动机(Engine)

型号.....康明斯 6LTAA9.3/上柴 SC11CB220G2B1
 Mode.....Cummins 6LTAA9.3
SHANG CHAI SC11CB220G2B1
 型式.....直喷、涡轮增压、水冷
 Type.....Direct injection, turbocharged, water cooling
 额定功率Rated Power160kW/162kW
 额定转速Rated Speed.....2200rpm

变速系统 (Transmission System)

变矩器型式.....单级三相
 Torque converter typeSingle stage, 3-elements
 冷却方式.....油冷压力循环式
 Cooling mode.....Oil cooling pressure circulating
 ZF 变速箱型式.....定轴式动力换挡
 ZF Transmission type.....fixed shaft power shift
 档位 (前进/后退)前四后三
 Shifts(Forward/Backward).....F4/R3
 行驶速度(km/h) Traveling speed I II III IV
 前进 Forward 6.8 12.2 24.3 35
 后退 Backward 6.8/7.1 13.3/14.0 25.2/26.5 39.6

驱动桥 (Axles)

加强型干式制动前后桥, 选配美驰湿式制动前后桥
 Strengthened dry-type front and rear axles standard.
 MERITOR Wet-type front and rear axles for option
 最大牵引力 Max. drawing force.....150kN
 最大爬坡能力 Max. gradient capacity.....30°

转向系统 (Steering System)

型式.....中间铰接单板车架、流量放大全液压转向
 Type.....Middle articulated single-plate frame, flow amp. full hydraulic steering
 转向角 Steering angle.....38°
 最小转弯半径Min.steering radius at the center of outside tire.....6098mm
 系统压力 System pressure.....16MPa
 转向油缸数-缸径×行程.....2-φ90×435mm
 No.of cylinders-Bore×Stroke.....2-φ90×435mm

轮胎 (Tyre)

轮胎规格 Tyre size.....23.5-25-16PR

工作装置 (Working Equipment)

单摇臂高支点优化设计的工作装置, 自动放平作为标配。
 Single swing arm high fulcrum working equipment, Automatic leveling device as standard configuration.
 最大掘起力 Max.breakout force165kN
 卸载高度 Dumping clearance3050mm
 卸载距离 Dumping reach1107mm
 倾翻载荷 (全转向) Tipping load full turn10200kg

工作液压系统(Working Hydraulic System)

型式 Type.....单手柄比例先导操纵 Single handle P.P.C
 系统压力 System pressure180kgf/cm²
 油缸数量-缸径×行程 No.-of cylinders Bore×Stroke
 举升油缸 Lifting cylinder.....φ160×90×810mm.
 翻斗油缸 Tilting cylinder.....φ180×90×563mm.
 提升时间 Lifting time.....≤5.6s
 下降时间 Lowering time.....≤3.7s
 卸载时间 Dumping time.....≤1.7s

制动系统 (Brake System)

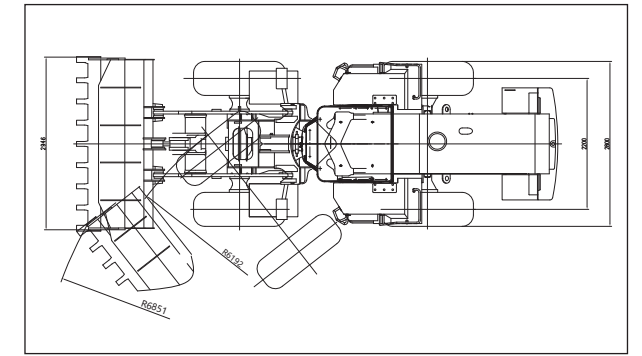
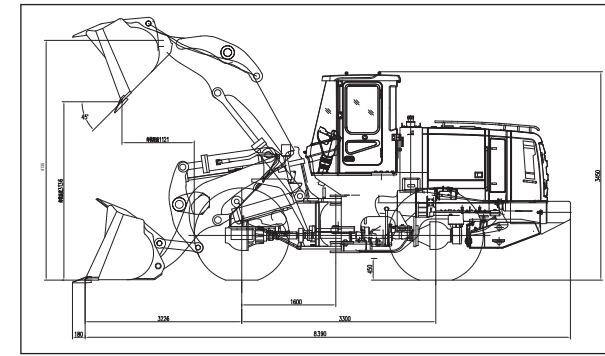
行车制动.....气顶液制动系统
 Service BrakeAir over hydraulic brake system
 桥制动形式.....标配干式钳盘式制动, 选配多盘片湿式制动
 Type of axle brake.....Standard dry type disc brake
 Optional Wet type multi-disc brake in axle
 停车制动.....鼓式制动, 手控切断压力制动
 Parking brake.....Drum type,
 Manual control cutting-off pressure brake

油量 (Refill Capacity)

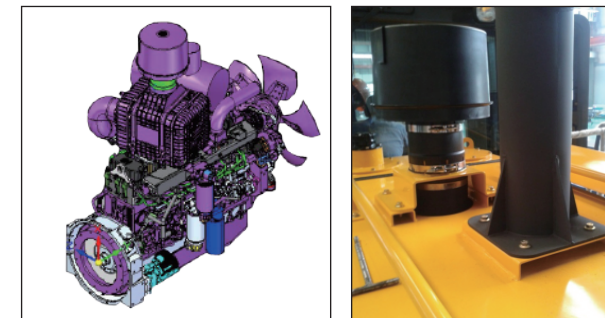
燃油箱 Fuel tank.....250L
 发动机曲轴箱 Engine crank case.....19L(Cummins)
42L(Shanghai)
 双变系统 T/C and T/M.....42L
 液压油箱 Hydraulic tank.....230L
 前后桥 F/R axles32L

驾驶室 (Cabin)

Vibration-absorbed humanistic cabin with adjustable steering wheel and seat, and streamline dashboard provide low noise, air conditioning, comfortable operation and wide eyeshot.

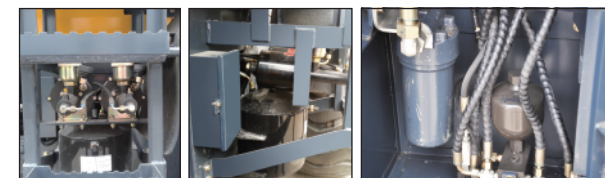


Best Power Performance



- Equipped with Cummins 6LTAA9.3 220/Shanghai SC11C-B220G2B1 engine with strong power, low consumption and good performance.
- The swirl type prefilter provides good filtering effect and it is fixed hierarchically with high reliability.
- The tail pipe has a large caliber design to reduce the exhaust back pressure and it is also fixed hierarchically.
- The added baffle on the rear of diesel tank is fixed on the counterweight to prevent the damage from accidental collision.

Easy maintenance



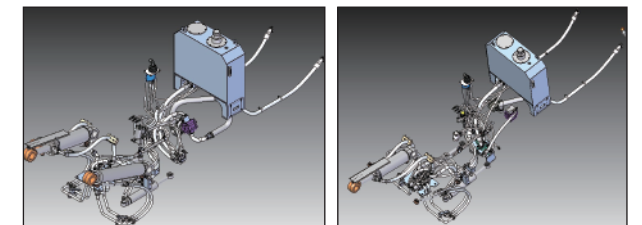
- The booster pump is equipped with filter element which greatly extends the service life
- The air reservoir is placed vertically to reduce the moisture in the brake system

Comfortable Cabin



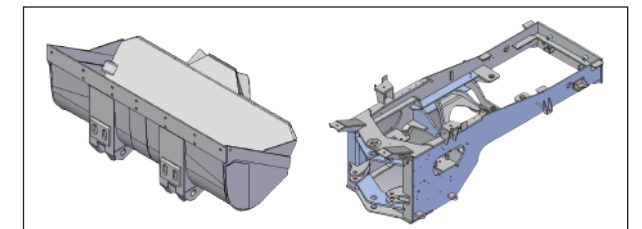
- Cabin featured luxury interior decoration and beautiful appearance and good eyeshot.

High Efficiency Hydraulic System



- The hydraulic system is labeled as a pilot system.
- The pilot system adopts the accumulator scheme to reduce the power loss of the system.
- The pilot accumulator is installed in the right auxiliary box for maintenance.
- Selecting the distribution system, the configuration switch to the limiter, reducing the system shock.
- The flow amplification valve is positioned in the center of the frame to facilitate maintenance.

Optimized bucket and chassis



- The optimized bucket has improved the full bucket rate. And there is a backplane added to the bucket rear to prevent the material spilling.
- The design of chassis has been upgraded to make lighter weight but bigger load bearing.



Wheel Loader Motor Grader Excavator Backhoe Loader Vibratory Roller Bulldozer

Construction Machinery